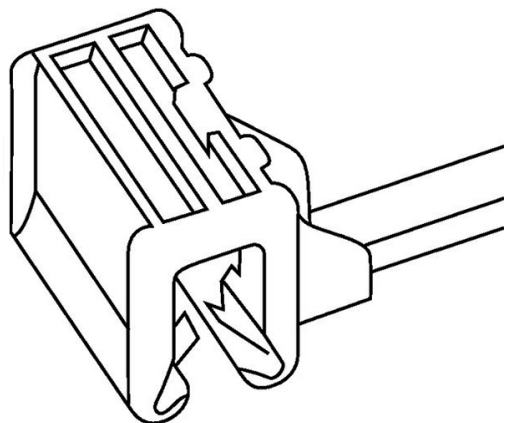


## Specification Sheet

Part Number: 126-00036



1-Piece Cable Tie & Edge Clip, 8" Long, EC34, Panel Thickness .04"-.12", 50 lbs, PA66HS, Black, 500/bag

Article Number

126-00036

Type

T50SOSEC34E

Color

Black (BK)

### Features & Benefits

- Edge Clip applies easily to plastic and metal sheets without the need for a mounting hole.
- Edge Clip provides low insertion force and high extraction force ideal for assembly environments.
- Two piece assembly allows the mount to slide along the strap ensuring proper orientation.
- Cable tie is outside serrated to reduce bundle chafing.

Quantity Per

bag

### Product Description

The cable tie and edge clip assembly is ideal for use where holes are not acceptable or where adhesives will fail due to temperature problems. Edge clips are widely used for fixing and bundling cables and wires within automotive, trucking, heavy equipment, solar panel, wind power, and white goods equipment manufacturing.

<b>Short Description</b>	1-Piece Cable Tie & Edge Clip, 8" Long, EC34, Panel Thickness .04"-.12", 50 lbs, PA66HS, Black, 500/bag
<b>Global Part Name</b>	T50SOSEC34E-PA66HS-BK
<b>Minimum Tensile Strength (Imperial)</b>	40.0
<b>Minimum Tensile Strength (Metric)</b>	180
<b>Length L (Imperial)</b>	6.0
<b>Length L (Metric)</b>	155.0
<b>Fixation Method</b>	Edge Clips
<b>Identification Plate Position</b>	none
<b>Releasable Closure</b>	No
<b>Tie Closure</b>	plastic pawl
<b>Variant</b>	Outside Serrated
<b>Width W (Imperial)</b>	0.18
<b>Width W (Metric)</b>	4.6
<b>Bundle Diameter Min (Imperial)</b>	0.04
<b>Bundle Diameter Min (Metric)</b>	1.0
<b>Bundle Diameter Max (Imperial)</b>	1.40

<b>Bundle Diameter Max (Metric)</b>	35.0
<b>Height H (Imperial)</b>	0.06
<b>Height H (Metric)</b>	1.35
<b>Panel Thickness Min(Imperial)</b>	0.039
<b>Panel Thickness Max(Imperial)</b>	0.12
<b>Panel Thickness Min (Metric)</b>	1.0
<b>Panel Thickness Max (Metric)</b>	3.0
<b>Material</b>	Polyamide 6.6 heat stabilized (PA66HS)
<b>Material Shortcut</b>	PA66HS
<b>Flammability</b>	UL 94 V2
<b>Operating Temperature (Metric)</b>	-40°F to +221°F (-40°C to +105°C)
<b>Reach Complaint(Article 33)</b>	Yes
<b>ROHS Complaint</b>	Yes
<b>Package Quantity(Imperial)</b>	500
<b>Package Quantity (Metric)</b>	500

**Customs Number**

3926909988

**Content Unit(BMEcat)**

pcs.

**Weight (Metric)**

1.94