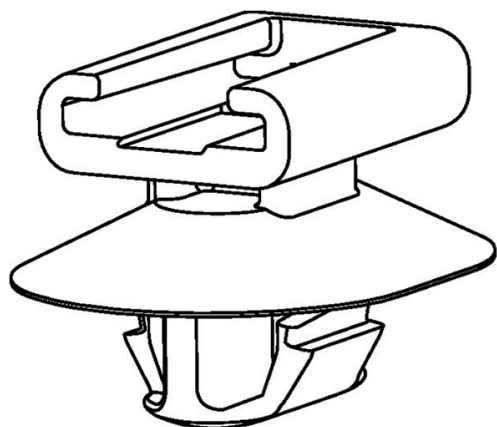


## Specification Sheet

Part Number: 151-01003



Connector Clip, Hole Dia. 6.2X12.2mm,PA66HIRHS, Black, 7000/box

**Article Number**

151-01003

**Type**

CCKSFT6.2x12.2

**Color**

Black (BK)

### Features & Benefits

- HellermannTyton connector clips provide a simple and easy method for mounting connectors to a mounting surface in a variety of applications.
- Detailed designs include anti-rattle disc features, anti-rotation oval fir trees, and clamps for mounting on edges.
- HellermannTyton offers an assortment of connector clips that are available for a variety of connector slot designs found on most of the largest global connector manufacturers.

**Quantity Per**

carton

### Product Description

HellermannTyton connector clips, for oval holes, are mounted simply by pushing them onto the corresponding clip. The clips provide a wide range of mounting options with anti-rattle and anti-rotation features. The fir tree locks into place when inserted into the hole palpably and ensures a secure fixing at all times.

<b>Short Description</b>	Connector Clip, Hole Dia. 6.2X12.2mm,PA66HIRHS, Black, 7000/box
<b>Global Part Name</b>	CCKSFT6.2x12.2-PA66HIRHS-BK
<b>Length L (Imperial)</b>	0.61
<b>Length L (Metric)</b>	15.0
<b>Width W (Imperial)</b>	0.86
<b>Height H (Imperial)</b>	0.55
<b>Height H (Metric)</b>	14.0
<b>Panel Thickness Min(Imperial)</b>	0.09
<b>Panel Thickness Max(Imperial)</b>	0.11
<b>Panel Thickness Min (Metric)</b>	2.3
<b>Panel Thickness Max (Metric)</b>	2.7
<b>Mounting Hole Diameter D (Imperial)</b>	0.24 " x 0.48
<b>Mounting Hole Diameter D (Metric)</b>	6.2 x 12.2 mm
<b>Mounting Hole Diameter D Min (Imperial)</b>	0.24
<b>Mounting Hole Diameter D Max (Imperial)</b>	0.48
<b>Mounting Hole Diameter D Max (Metric)</b>	12.2

<b>Material</b>	Polyamide 6.6, high impact modified, heat stabilized (PA66HIRHS)
<b>Material Shortcut</b>	PA66HIRHS
<b>Operating Temperature (Metric)</b>	-40°F to +230°F (-40°C to +110°C)
<b>Package Quantity(Imperial)</b>	7000
<b>Package Quantity (Metric)</b>	7000
<b>Customs Number</b>	3926909988