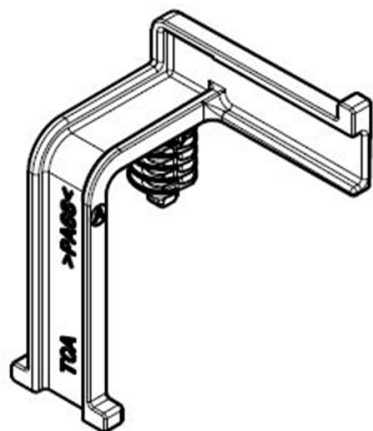


Specification Sheet

Part Number: 151-01125



Standoff Bundling Clip, 1.7" Long, Panel Thickness .02"–.23", PA66HIRHS, Gray, 5000/box

Article Number	151-01125
Type	SOC13FT6LGL
Color	Gray (GY)
Features & Benefits	<ul style="list-style-type: none">•Clip can be installed by hand – no need for hardware or tools.•Design provides low insertion and high extraction force, for simple, secure performance.•Clip keeps bundle away from areas that could cause damage due to rubbing.
Quantity Per	carton

Product Description

Standoff bundling clips provide a straightforward way to secure cable bundles, hoses or pipes. The bundle fastens to the tape bar using tape or cable ties. Multiple orientations allow tape clips to be used with a wide range of panel thicknesses and hole diameters. Standoff keeps bundles away from mounting area to prevent them from damage due to rubbing.

Short Description	Standoff Bundling Clip, 1.7" Long, Panel Thickness .02"-.23", PA66HIRHS, Gray, 5000/box
Global Part Name	SOC13FT6LGL-PA66HIRHS-GY
Length L (Imperial)	1.7
Length L (Metric)	43.2
Offset Length(Imperial)	0.8
Offset Length(Metric)	20.3
Fixation Method	Fir Tree
Width W (Imperial)	0.87
Width W (Metric)	22.0
Height H (Imperial)	1.33
Height H (Metric)	33.7
Panel Thickness Min(Imperial)	0.02
Panel Thickness Max(Imperial)	0.23
Panel Thickness Min (Metric)	0.6
Panel Thickness Max (Metric)	5.75
Mounting Hole Diameter D (Imperial)	0.24 - 0.27

Mounting Hole Diameter D (Metric)	6.1 - 6.9 mm 6.35 mm (hexagonal)
Mounting Hole Diameter D Min (Imperial)	0.24
Mounting Hole Diameter D Max (Imperial)	0.27
Mounting Hole Diameter D Max (Metric)	6.9
Material	Polyamide 6.6, high impact modified, heat stabilized (PA66HIRHS)
Material Shortcut	PA66HIRHS
Flammability	UL 94 HB
Operating Temperature (Metric)	-40°F to +230°F (-40°C to +110°C)
Package Quantity(Imperial)	5000
Package Quantity (Metric)	5000
Customs Number	3926909987