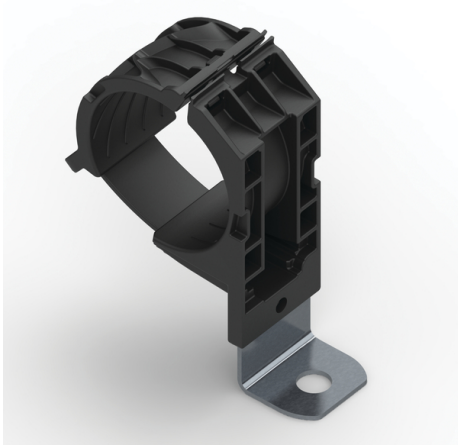


Specification Sheet

Part Number: 151-02877



One-piece ratchet closure design allows for easy installation during pre- or final assembly.

Easy release feature allows for quick adjustments and maintenance.

Steel mounting plate tolerates high torque mounting and is treated to resist chemicals and salt spray.

NFPA 130-compliant to streamline inspections.

Ratchet P-Clamp, 1.38 - 2.01" Bundle Dia, 90° Short, 0.33" Hole Dia, PA666V0/ST/ZN, Black, 160/ctn

Article Number 151-02877

Type RCD90SM8

Color Black (BK)

Quantity Per bag

Product Description

The Ratchet P-Clamp family offers versatility when managing wires, cables and hoses. The robust design and durable materials make it ideal for heavy duty applications, both indoors and out. The one-piece adjustable clamp can be closed by hand to the desired diameter. The nondestructive release feature allows the clamp to be reused without removing or replacing any bolts or screws. Low fire hazard material is designed specifically for rail applications.

Short Description	Ratchet P-Clamp, 1.38 - 2.01" Bundle Dia, 90° Short, 0.33" Hole Dia, PA666V0/ST/ZN, Black, 160/ctn
Global Part Name	RCD90SM8-PA666V0/ST/ZN-BK
Minimum Tensile Strength (Imperial)	100.0
Minimum Tensile Strength (Metric)	445.0
Length L (Imperial)	6.58
Length L (Metric)	167.2
Fixation Method	Screw Mounting
Variant	Short
Width W (Imperial)	1.37
Width W (Metric)	34.9
Bundle Diameter Min (Imperial)	1.42
Bundle Diameter Min (Metric)	36.0
Bundle Diameter Max (Imperial)	2.0
Bundle Diameter Max (Metric)	51.0
Mounting Hole Diameter D (Imperial)	0.33

Mounting Hole Diameter D (Metric)	8.4 mm
Stud Diameter (Metric)	M8
Mounting Hole Centers (Imperial)	2.62
Material	Zinc plated (ZN) Steel (ST) Polyamide 6.6/6, V0 (PA666V0)
Material Shortcut	ZN ST PA666V0
Flammability	Halogen-free UL 94 V-0 Limited fire hazard Low smoke generation Low generation of toxic gases and corrosive acid
Halogen Free	Yes
UV Resistant (Yes/No)	Yes
Operating Temperature	-40°F to +248°F (-40°C to +120°C)
Reach Compliant (Article 33)	Yes
ROHS Compliant	Yes
Certification/Specification	ASTM E 162 ASTM 1354 EN [45545-2] ASTM E 662
Package Quantity (Imperial)	160
Package Quantity (Metric)	160

Customs Number

3926909988

© 2022 HellermannTyton. All Rights Reserved.

[Contact Us](#)

[RoHS/WEEE Compliance](#)

[Disclaimer](#)

[Terms and Conditions](#)