

Specification Sheet

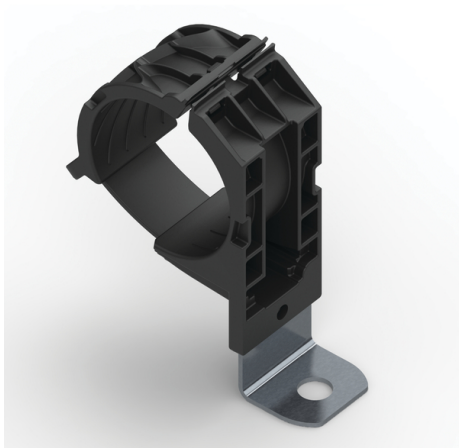
Part Number: 151-03011

One-piece ratchet closure design allows for easy installation during pre- or final assembly.

Easy release feature allows for quick adjustments and maintenance.

Stainless steel mounting plate tolerates high torque mounting, resists galvanic corrosion with dissimilar metals, and harsh chemicals.

Low fire hazard materials comply with stringent NFPA 130 safety standards and improve opportunities to get product specified at the engineering stage of a project.



Ratchet P-Clamp, 1.38 - 2.01" Bundle Dia, 90° Short, 0.33" Hole Dia, PA666V0/SS304, Black, 160/ctn

Article Number	151-03011
Type	RCD90SM8SS
Color	Black (BK)
Quantity Per	bag

Product Description	The Ratchet P-Clamp family offers versatility when managing wires, cables and hoses. The robust design and durable materials make it ideal for heavy duty applications, both indoors and out. The one-piece adjustable clamp can be closed by hand to the desired diameter. The release feature provides easy and nondestructive removal of cables simply by using a flat-head screwdriver. This nondestructive release allows the clamp to be reused without removing or replacing any bolts or screws. The Ratchet P-Clamp is offered in four sizes and multiple mounting configurations. Low fire hazard material is designed specifically for rail applications.
Short Description	Ratchet P-Clamp, 1.38 - 2.01" Bundle Dia, 90° Short, 0.33" Hole Dia, PA666V0/SS304, Black, 160/ctn
Global Part Name	RCD90SM8SS-PA666V0/SS304-BK
Minimum Tensile Strength (Imperial)	100.0
Minimum Tensile Strength (Metric)	445.0
Length L (Imperial)	6.58
Length L (Metric)	167.2
Fixation Method	Screw Mounting
Variant	Short
Width W (Imperial)	1.37
Width W (Metric)	34.9
Bundle Diameter Min (Imperial)	1.42

Bundle Diameter Min (Metric)	36.0
Bundle Diameter Max (Imperial)	2.0
Bundle Diameter Max (Metric)	51.0
Mounting Hole Diameter D (Imperial)	0.33
Mounting Hole Diameter D (Metric)	8.4 mm
Stud Diameter (Metric)	M8
Mounting Hole Centers (Imperial)	2.62
Material	Stainless Steel (SS304) Polyamide 6.6/6, V0 (PA666V0)
Material Shortcut	PA666V0 SS304
Flammability	Low smoke generation Low generation of toxic gases and corrosive acid Limited fire hazard UL 94 V-0 Halogen-free
Halogen Free	Yes
UV Resistant (Yes/No)	Yes
Operating Temperature	-40°F to +248°F (-40°C to +120°C)
Reach Compliant (Article 33)	Yes
ROHS Compliant	Yes

Certification/Specification

EN [45545-2] ASTM 1354 ASTM E 162 ASTM E 662

Package Quantity (Imperial)

160

Package Quantity (Metric)

160

© 2022 HellermannTyton. All Rights Reserved.

[Contact Us](#)

[RoHS/WEEE Compliance](#)

[Disclaimer](#)

[Terms and Conditions](#)